

ÜBERSICHTSZEICHNUNG ASSEMBLY DRAWING

LAPIERRE

OVERVOLT HT

E-EXPLORER



OVERVOLT HT 9.7 / 9.7 MIX (MY23)

E-EXPLORER 9.7 / 9.7 MIX / 8.7 / 7.6 (MY23)

OVERVOLT HT 9.7 / 9.7 MIX / E-EXPLORER 9.7 / 9.7 MIX / 8.7 / 7.6 (MY23)

date: 28-03-2023

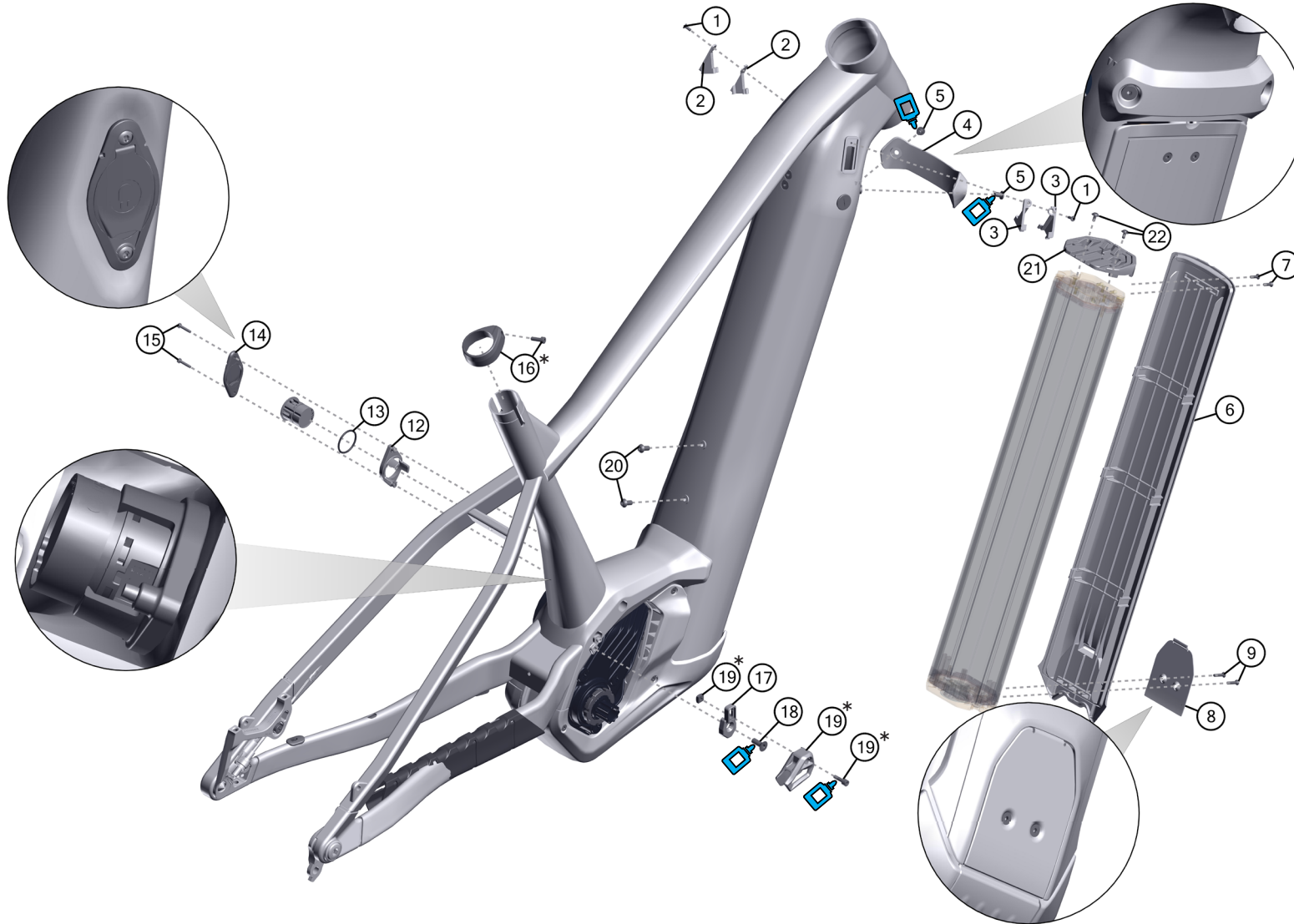
version: 01



ÜBERSICHTSZEICHNUNG

ASSEMBLY DRAWING main frame

LAPIERRE



Hinweis: Bei den Schrauben muss mittelfeste Gewindesicherung verwendet werden. Rote Flächen müssen gefettet werden.

Note: use medium strength screw lock for screw threads. red surfaces has to be greased.



➤ medium strength screwlock

OVERVOLT HT 9.7 / 9.7 MIX / E-EXPLORER 9.7 / 9.7 MIX / 8.7 / 7.6 (MY23)

date: 28-03-2023

version: 01



ÜBERSICHTSZEICHNUNG

ASSEMBLY DRAWING main frame

LAPIERRE

BOM-ID	Description	Specification	Torque	Item no.	QTY
1	Counter sunk screw	IS2 - M3 x 8 mm	1 Nm	07991003	2
2	Cable inlets left side			FROT0150 FROT0149	2
3	Cable inlets right side			FROT0148 FROT0147	2
4	Fork bumper			FRPR0084	1
5	Cylinder head screw	IS4 - M5 x 8 mm	6 Nm	FRSC0140	2
6	Battery cover			COV0012	1
7	Counter sunk screw	IS2 - M3 x 12 mm	1 Nm	FRSC0137	2
8	Battery metal skidplate			FROT0230	1
9	Counter sunk screw (stainless steel)	IS2 - M3 x 18 mm	1 Nm	09105108	2
12	Charge port frame			FROT0212	1
13	O-ring charge port			ELOT0007	1
14	Charge port cover			FROT0097	1
15	Lens head screw	TX10 - M3 x 16 mm	1 Nm	FRSC0143	2
16	Seatclamp (incl. cylinder head screw)	Ø 34,9 mm		SC0004	1
17	Chain guide bracket			FROT0235	1
18	Lens head screw (stainless steel)	IS4 - M6 x 10 mm	11 Nm	FRSC0157	1
19*	Chain guide (set incl. screw and nut)			CG0022	1
19*	Cylinder head screw (set incl. chain guide and nut)	IS3 - M4 x 10 mm	3 Nm	CG0022	1
19*	Square nut (set incl. chain guide and screw)	M4		CG0022	1
20	Lens head screw	IS3 - M5 x 12 mm	6 Nm	FRSC0152	2
21	Screw-on plate			FRSC0124	1
22	Screw for screw-on plate	T15 - M3 x 7 mm	1.2 Nm	FRSC0123	2

OVERVOLT HT 9.7 / 9.7 MIX / E-EXPLORER 9.7 / 9.7 MIX / 8.7 / 7.6 (MY23)

date: 28-03-2023

version: 01

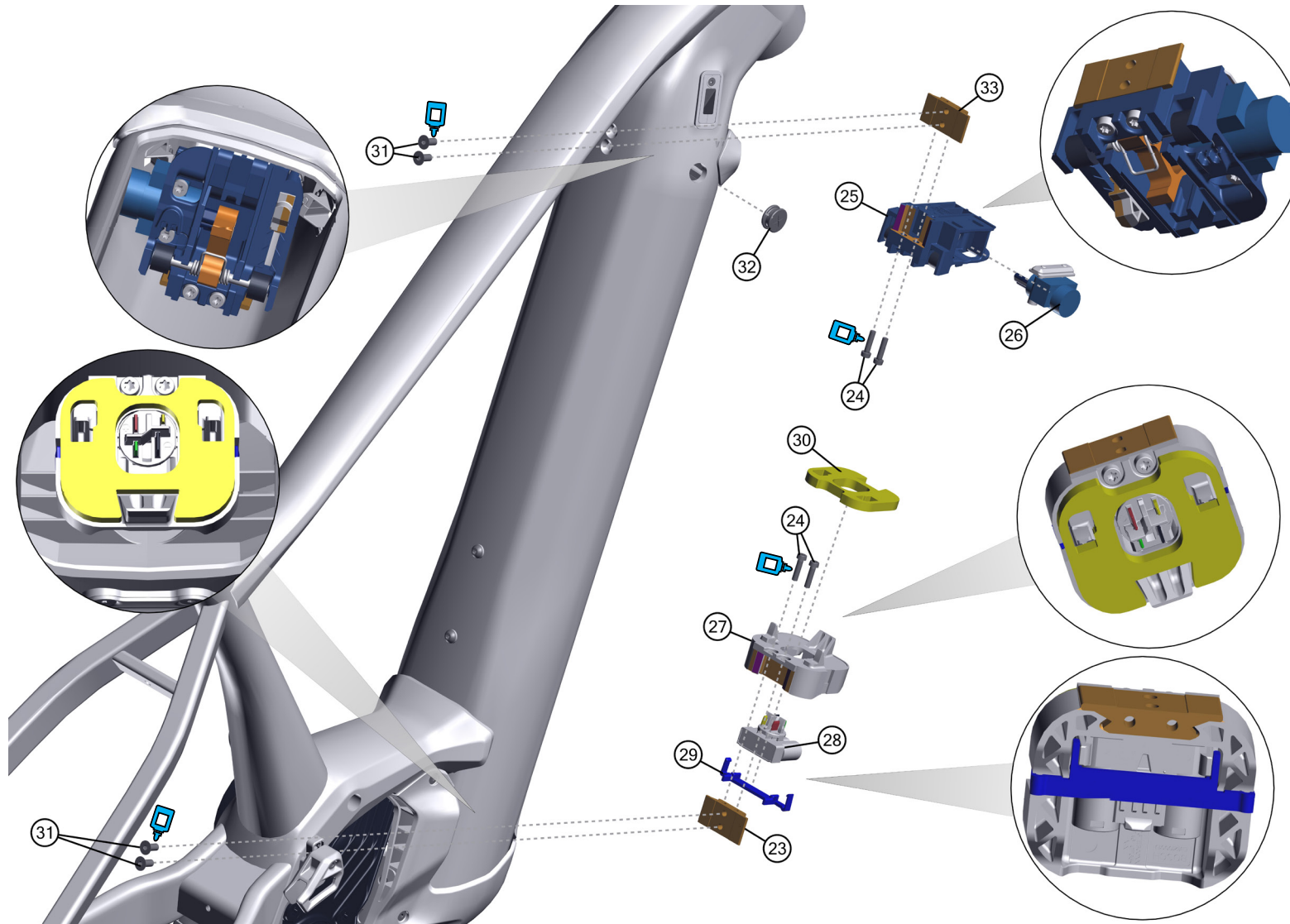


ÜBERSICHTSZEICHNUNG

ASSEMBLY DRAWING

battery mount

LAPIERRE



Hinweis: Bei den Schrauben muss mittelfeste Gewindesicherung verwendet werden. Rote Flächen müssen gefettet werden.

Note: use medium strength screw lock for screw threads. red surfaces has to be greased.



➤ medium strength screwlock

OVERVOLT HT 9.7 / 9.7 MIX / E-EXPLORER 9.7 / 9.7 MIX / 8.7 / 7.6 (MY23)

date: 28-03-2023

version: 01



ÜBERSICHTSZEICHNUNG

ASSEMBLY DRAWING battery mount

LAPIERRE

BOM-ID	Description	Specification	Torque	Item no.	QTY
23	Battery holder adapter			FROT0234	1
24	Screw for battery holder adapter	T20 - M4 x 16 mm	3 Nm	FRSC0121	4
25	Locking assembly			L00006	1
26	Battery lock	IT3 XPLUS		L00007	1
27	Cradle			ELOT0003	1
28	Battery adapter			ELOT0006	1
29	Clamp ring			ELOT0008	1
30	Damper foil poron plug			ELOT0005	1
31	Counter sunk screw	IS3 - M5 x 12 mm	6 Nm	FRSC0141	4
32	Rubber ring			FROT0215	1
33	Battery holder adapter top			65228039	1

OVERVOLT HT 9.7 / 9.7 MIX / E-EXPLORER 9.7 / 9.7 MIX / 8.7 / 7.6 (MY23)

date: 28-03-2023

version: 01

page 5 / 12

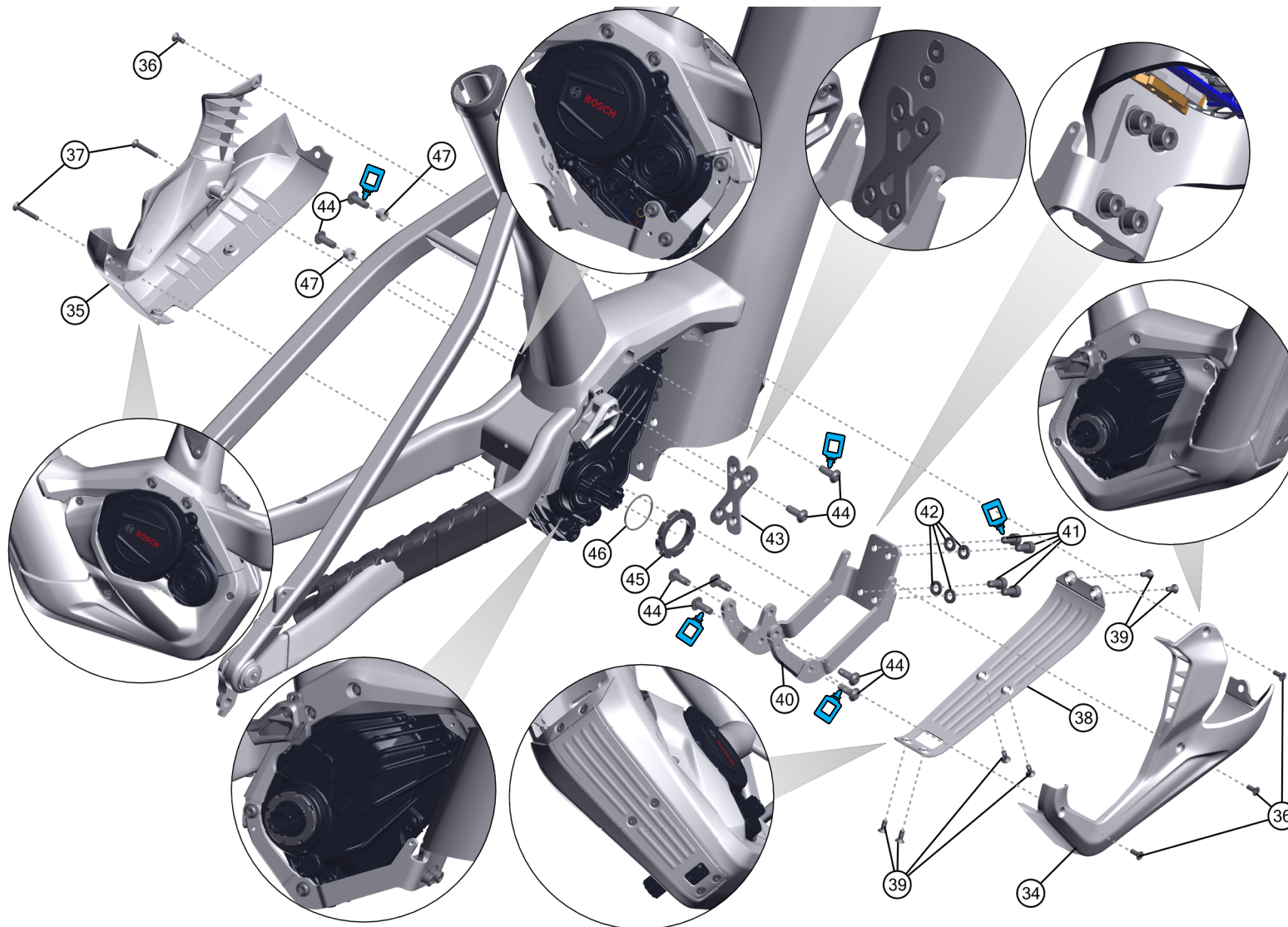


ÜBERSICHTSZEICHNUNG

ASSEMBLY DRAWING

motor cover

LAPIERRE



Hinweis: Bei den Schrauben muss mittelfeste Gewindesicherung verwendet werden. Rote Flächen müssen gefettet werden.

Note: use medium strength screw lock for screw threads. red surfaces has to be greased.



➤ medium strength screwlock



OVERVOLT HT 9.7 / 9.7 MIX / E-EXPLORER 9.7 / 9.7 MIX / 8.7 / 7.6 (MY23)

date: 28-03-2023

version: 01

ÜBERSICHTSZEICHNUNG

ASSEMBLY DRAWING motor cover

LAPIERRE

BOM-ID	Description	Specification	Torque	Item no.	QTY
34	Motor cover right			COV0011	1
35	Motor cover left			COV0010	1
36	Counter sunk screw	IS2.5 - M4 x 12 mm	3 Nm	FRSC0138	4
37	Counter sunk screw	IS2.5 - M4 x 25 mm	3 Nm	FRSC0139	2
38	Motor metal skidplate			FROT0229	1
39	Counter sunk screw (stainless steel)	IS2.5 - M4 x 10 mm	3 Nm	FRSC0155	6
40	Motor bracket			FROT0231	1
41	Cylinder head screw (flat head)	IS4 - M6 x 14 mm	11 Nm	SM1693	4
42	Washer (stainless steel)	Ø 6,4		SM1100	4
43	Motor bracket Xplate			FROT0232	1
44	Screw for mounting connection plate	T30 - M6 x 16 mm	13 Nm	FRSC0125	9
45	Lockring for BDU4XX			FROT0180	1
46	O-Ring			FROT0181	1
47	Motor bushing			FROT0233	2



OVERVOLT HT 9.7 / 9.7 MIX / E-EXPLORER 9.7 / 9.7 MIX / 8.7 / 7.6 (MY23)

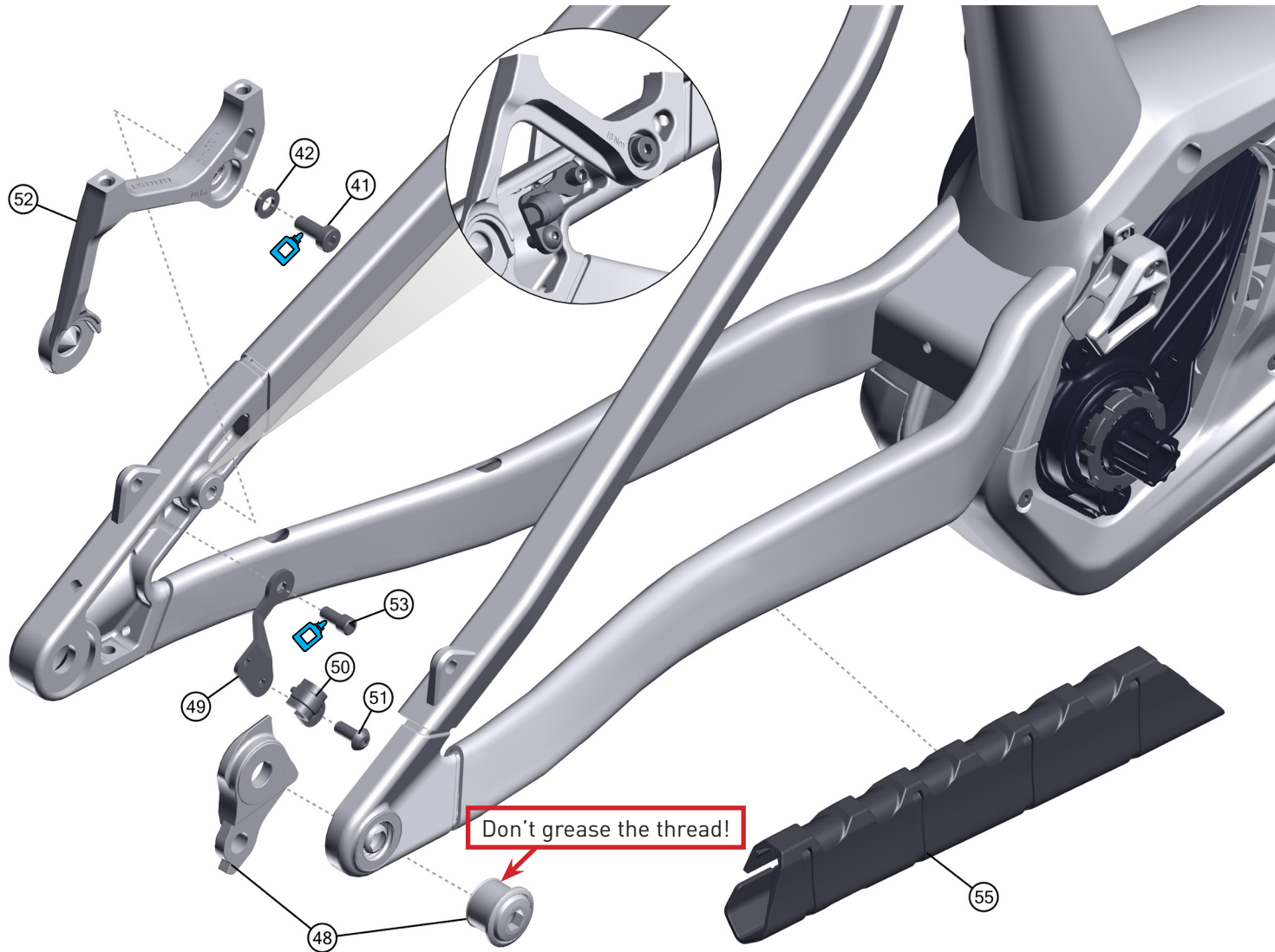
date: 28-03-2023

version: 01

ÜBERSICHTSZEICHNUNG

ASSEMBLY DRAWING rear frame

LAPIERRE



Hinweis: Bei den Schrauben muss mittelfeste Gewindesicherung verwendet werden. Rote Flächen müssen gefettet werden.

Note: use medium strength screw lock for screw threads. red surfaces has to be greased.



➤ medium strength screwlock



OVERVOLT HT 9.7 / 9.7 MIX / E-EXPLORER 9.7 / 9.7 MIX / 8.7 / 7.6 (MY23)

date: 28-03-2023

version: 01

ÜBERSICHTSZEICHNUNG

ASSEMBLY DRAWING rear frame

LAPIERRE

BOM-ID	Description	Specification	Torque	Item no.	QTY
41	Cylinder head screw (flat head)	IS4 - M6 x 14 mm	11 Nm	SM1693	1
42	Washer (stainless steel)	Ø 6,4		SM1100	1
48	UDH derailleur hanger + nut	Don't grease the thread!	25 Nm	FRHG0061	1
49	Sensor bracket			65228014	1
50	Clip holder			EL0276	1
51	Screw for clip holder			EL0277	1
52	Rear brake mount adapter			FROT0060	1
53	Lens head screw	TX25 - M5 x 8 mm	6 Nm	09103059	1
55	Chainstay protector			FRPR0053	1



OVERVOLT HT 9.7 / 9.7 MIX / E-EXPLORER 9.7 / 9.7 MIX / 8.7 / 7.6 (MY23)

date: 28-03-2023

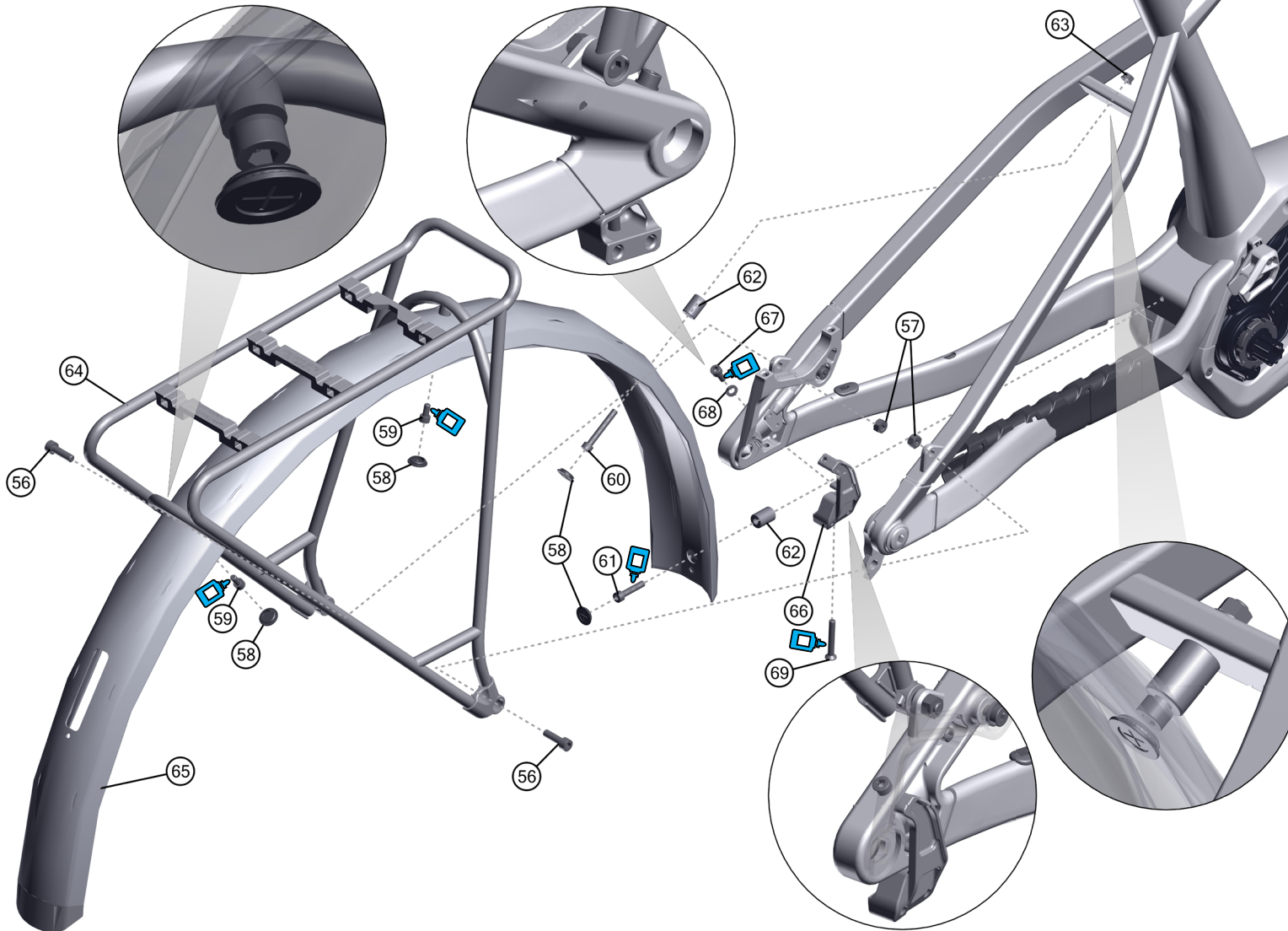
version: 01

ÜBERSICHTSZEICHNUNG

ASSEMBLY DRAWING

E-EXPLORER carrier and fender

LAPIERRE



Hinweis: Bei den Schrauben muss mittelfeste Gewindesicherung verwendet werden. Rote Flächen müssen gefettet werden.

Note: use medium strength screw lock for screw threads. red surfaces has to be greased.



➤ medium strength screwlock



OVERVOLT HT 9.7 / 9.7 MIX / E-EXPLORER 9.7 / 9.7 MIX / 8.7 / 7.6 (MY23)

date: 28-03-2023

version: 01

ÜBERSICHTSZEICHNUNG

ASSEMBLY DRAWING E-EXPLORER carrier and fender

LAPIERRE

BOM-ID	Description	Specification	Torque	Item no.	QTY
56	Cylinder head screw	IS5 - M6 x 20 mm	11 Nm	F0002633 (alternativ SM1218)	2
57	Self locking nut	M6		F0002632 (alternativ SM1239)	2
58	Mudguard plastic plug	Ø 12 mm		F0020330	4
59	Mudguard cylinder head screw	IS4 - M5 x 10 mm	6 Nm	F0020325	2
60	Mudguard cylinder head screw	IS4 - M5 x 35 mm	6 Nm	F0020327	1
61	Mudguard cylinder head screw	IS4 - M5 x 25 mm	6 Nm	F0020326	1
62	Mudguard spacer	Ø 12 x 5,5 x 17 mm		F0020329	2
63	Mudguard self locking nut with flange	M5		F0020328	1
64	Carrier 27,5 I-CARUS			11011348	1
65	Mudguard Set 27,5			11011344	1
66	Kickstand adaptor			FROT0206	1
67	Cylinder head screw (flat head)	TX25 - M5 x 14 mm	6 Nm	SM1731	1
68	Washer	ø 5,3 mm		SM1242	1
69	Counter sunk screw	TX25 - M5 x 35 mm	6 Nm	SM1708	1

OVERVOLT HT 9.7 / 9.7 MIX / E-EXPLORER 9.7 / 9.7 MIX / 8.7 / 7.6 (MY23)

date: 28-03-2023

version: 01



ÜBERSICHTSZEICHNUNG

ASSEMBLY DRAWING

LAPIERRE

FACT SHEET:	
SHOCK LENGTH:	-----
SHOCK HARDWARE TOP:	-----
SHOCK HARDWARE BOTTOM:	-----
HEADSET TOP:	ZS 56
HEADSET BOTTOM:	ZS 56
SEATPOST DIAMETER:	31,6 MM
CLAMP INNER DIAMETER:	34,9 MM
BOTTOM BRACKET:	-----
KICKSTAND:	KSA 18 (Adapter required)
ISCG STANDARD:	-----
CARRIER MOUNT:	YES
FENDER COMPATIBLE:	YES

DROPPER SEATPOST READY:	YES
WATTERBOTTLE MOUNT:	1x 0,75 L
MAXIMUM PERMISSIBLE TOTAL WEIGHT:	120 KG
MAXIMUM TIRE SIZE:	
WHEEL SIZE:	Size S: 27,5" Size M / L / XL: 29"
QUICK RELEASE LENGTH:	180 MM
OVER-LOCKNUT DIMENSION (O.L.D.):	148 MM
FD CLAMP SIZE:	-----
FD TYPE:	-----
ENGINE:	BOSCH PERFORMANCE LINE CX
BATTERY:	BOSCH POWERTUBE 750 WH
DISPLAY:	BOSCH LED REMOTE BOSCH KIOX



OVERVOLT HT 9.7 / 9.7 MIX / E-EXPLORER 9.7 / 9.7 MIX / 8.7 / 7.6 (MY23)

date: 28-03-2023

version: 01